



GPS

MODECOM FREEWAY CX 5.0



-
- ✓ **Bright 5" TFT touch screen. 800 x 480 px.**
 - ✓ **Powerful Mstar processor 800 MHz.**
 - ✓ **OS Windows CE 6.0.**
 - ✓ **Capacitive touch panel.**

-
- ✓ **Transmitter FM.**
 - ✓ **USB-C.**
 - ✓ **1200 mAh battery.**

-
- ✓ **256 MB RAM.**
 - ✓ **FLASH 8 GB.**
 - ✓ **High-class receiver GPS.**



TAKE ADVANTAGE OF OUR EXPERIENCE

The compact, 5" MODECOM FreeWAY CX 5.0 gps car navigation was designed based on our many years of experience. We have prepared a product with a modern and intuitive menu, which is natural evolution of the popular FreeWAY SX2 model.

Equipped with efficient components, a strong mount, a USB-C port and a good quality touch screen (800 x 480 pixels), the navigation is a great choice for planning the optimal travel route.

CAPACITIVE TOUCH PANEL WORK LIKE ON SMARTPHONE

GPS is equipped with a capacitive touch panel. It means that the screen works when touched by a finger. Installed touch panel makes using navigation much easier - you do not need to look for a stylus pen to enter the desired route. You work like on a smartphone.



COMPACT SIZE

COMPACT CAR GPS 5"



TFT SCREEN - 800 x 480 pixels.

The 5" TFT screen with a resolution of 800 x 480 pixels allows you to keep the device in compact size. Wide viewing angles, bright image - all of it makes navigation easier.

The screen resolution used in this device is most common in seven-inch models.

MODECOM FREEWAY CX 5.0

PERFECT ANYWHERE

MODECOM FreeWAY CX 5.0 car navigation is an option for every driver, regardless of whether he chooses endless wilderness or the thicket of city streets.



The device is equipped with a high-class and sensitive MSTAR GPS system. Thanks to this GPS module, the device precisely determines the route and ensures optimal precision of the location of the vehicle and the destination point.

LOCATION ACCURANCY

GPS MSTAR



MODECOM



MODECOM FREEWAY CX 5.0

POWERFUL PROCESSOR Mstar MSB2531 800MHZ

MODECOM FreeWAY CX 5.0 is navigation with high-class components.

It is equipped with an efficient and modern Mstar MSB2531 800MHZ processor, which is characterized by low power consumption, high efficiency and quick calculation and route tracking.

The processor cooperates with the software enabling smooth operation, also allowing the use of multimedia solutions offered by the device.

256 MB RAM

Modern software requires advanced and reliable device components. The navigation has been equipped with 256 megabytes of RAM, which ensures optimal operation of navigation programs.



```
"message": "Duration Log ,  
/analyze", "webParams": "null", "class": "com.orgmana  
e-afd8-46ac-9745-839146a20f09", "sessionId": "14402r  
6"}{"timestamp": "2017-06-03T18:43:335.030", "deltaSt  
hartdata_new.json", "class": "com.orgmanager.handler  
620jm9trnd3s3n7wg0k", "sizeChars": "48455", "message"  
"0", "level": "INFO", "webURL": "/app/page/report", "14402  
cb-bfa8-4e7d-8047-498454af885d", "sessionId": "14402  
"}{"timestamp": "2017-06-03T18:46:921.000", "deltaSt  
ager.handlers.RequestHandler", "method": "handle",
```

USB-C

The navigation is equipped with a USB-C port. The standardization in USB-C technology allows to reduce the number of cables, affecting the comfort of using the device.



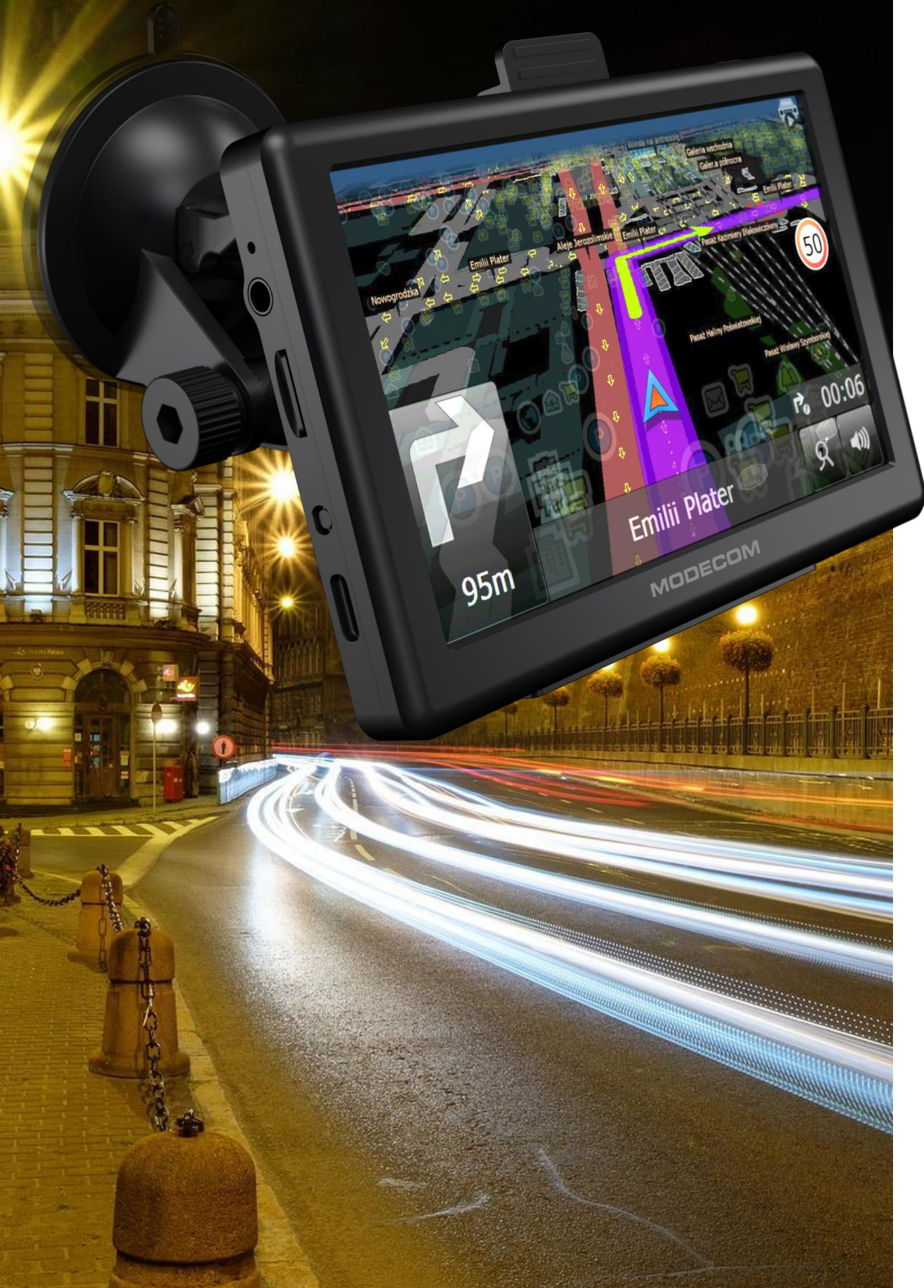


CUSTOMIZE GPS AS YOU LIKE

MODECOM FREEWAY CX 5.0 comes preloaded with MapFactor Europe navigation. However, if you decide that you want a different map, you can adapt it to your needs.

Thanks to the large amount of memory and efficient components, the navigation quickly and efficiently cooperates with other producers maps..

MODECOM



MODECOM FREEWAY CX 5.0

MAPFACTOR EUROPE

Why use MapFactor?

- Intuitive voice navigation in different languages.
- Planning of the "door to door" route.
- Routing modes for car, truck, bus, pedestrian, bicycle.
- Cross-border routing without switching between countries.
- Waypoints optimization.
- Route Avoidance - block a specific road.
- 2D / 3D mode enables realistic display of visual maps.
- GPS maps rotate in the direction of travel or north up.
- Ability to add your own favorite locations and routes.

A good map is essential. Thanks to its functions, you can plan the shortest route and reach your destination safely. MapFactor is an excellent choice for any driver - smooth operation of the application, fast response time and high reliability.



SAFETY AND ECONOMY

MapFactor Europe is packed with security and time-saving features.

- ✓ Speed camera warnings.
- ✓ Audible alerts when approaching speed cameras.
- ✓ The day / night modes change the color schemes for day or night driving.
- ✓ Preview of the upcoming maneuver and the distance displayed on the screen.

The world has become a global village, filled with new kilometers of roads and highways every year. Often we are not even aware of most temporary road closures for road works on the other side of the city, not to mention other cities. There is a simple solution for this - MODECOM navigation with MapFactor, which will set the optimal route, saving time and fuel.

FOR LONG AND NEW ROUTES

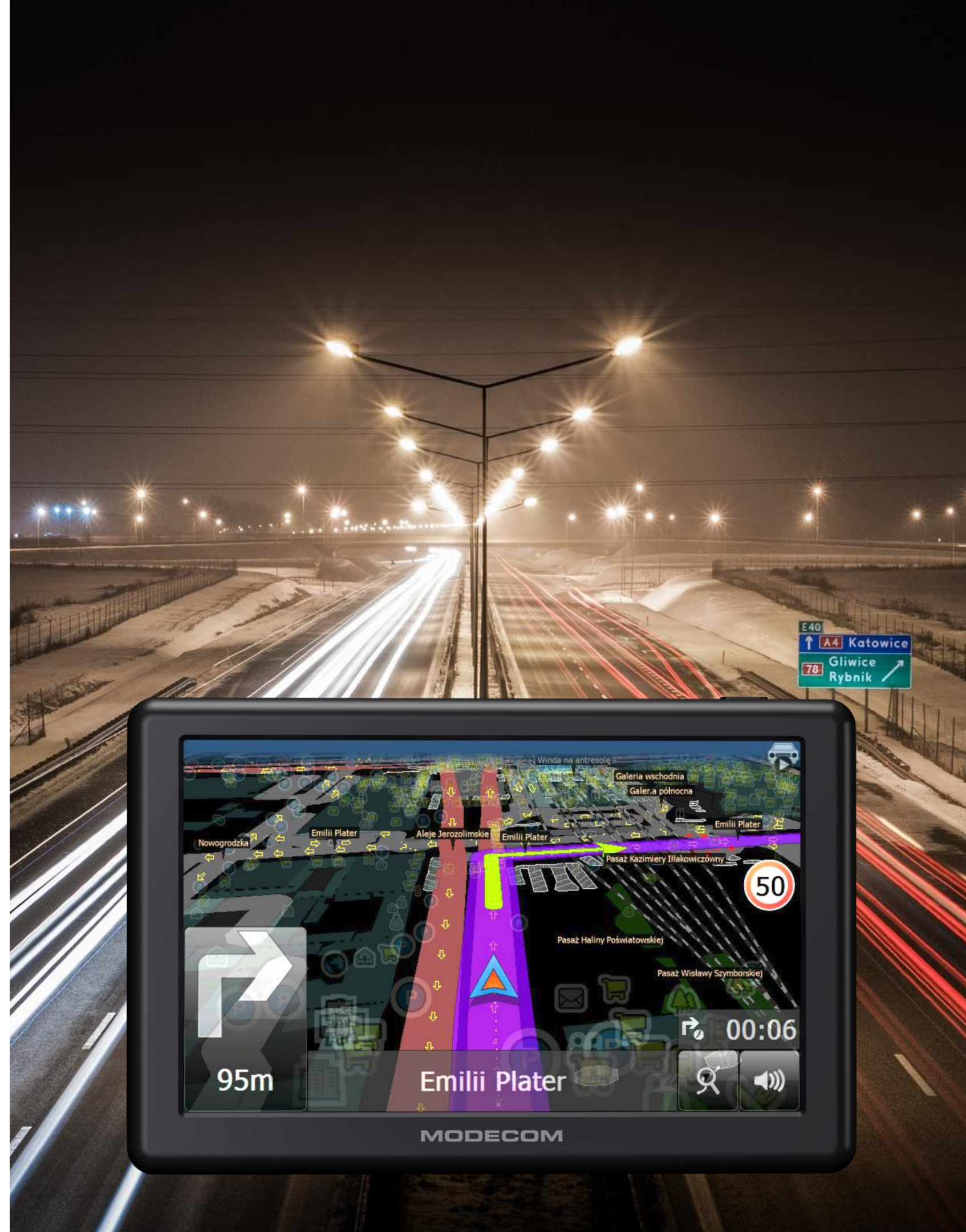


MODECOM FREEWAY CX 5.0

PROFESSIONALS WILL APPRECIATE SAVINGS

Buying navigation in the era of smartphones and free online maps? Yes, it makes sense as long as you are a professional driver, drive abroad or appreciate the additional advantages of using navigation, such as the possibility of integrating it with the car.

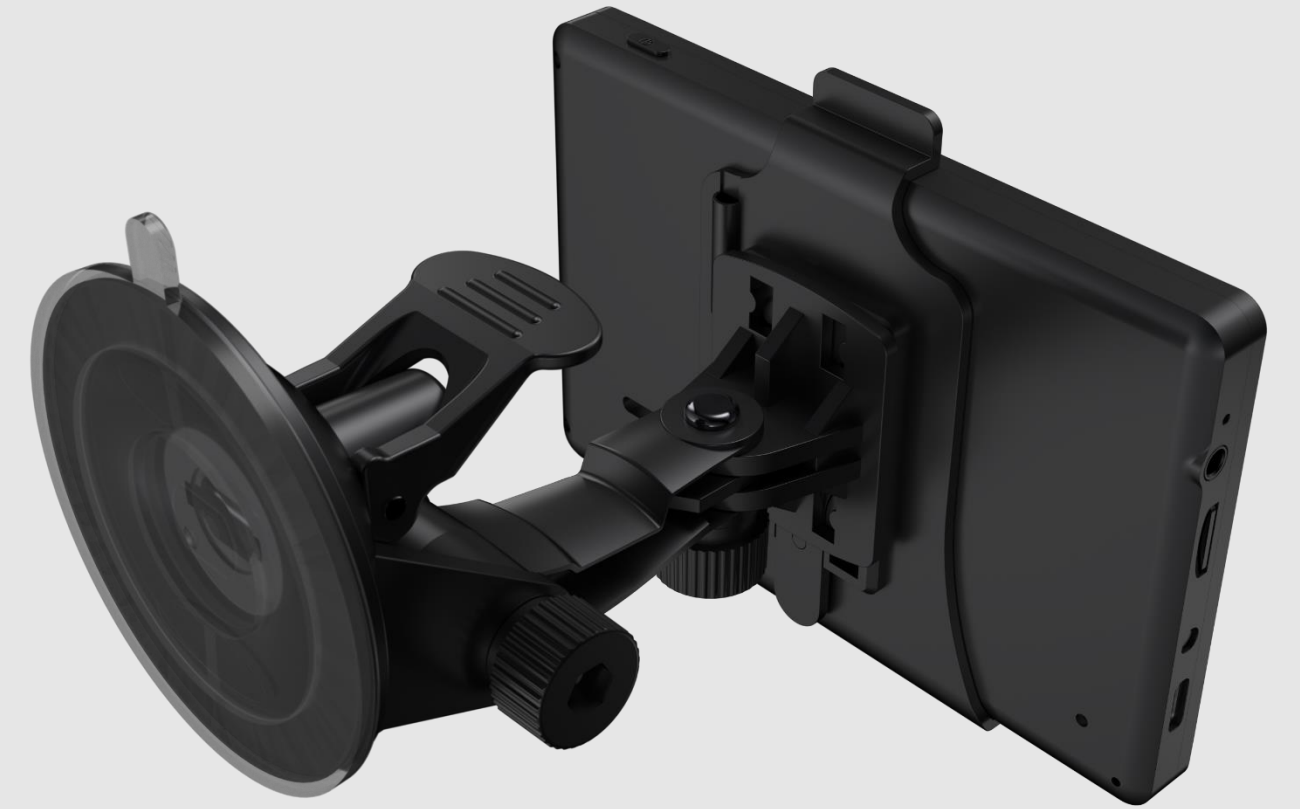
What's more? You do not use your smartphone's battery or need to worry about places with less cellular network coverage as you have a reliable device with a large screen.

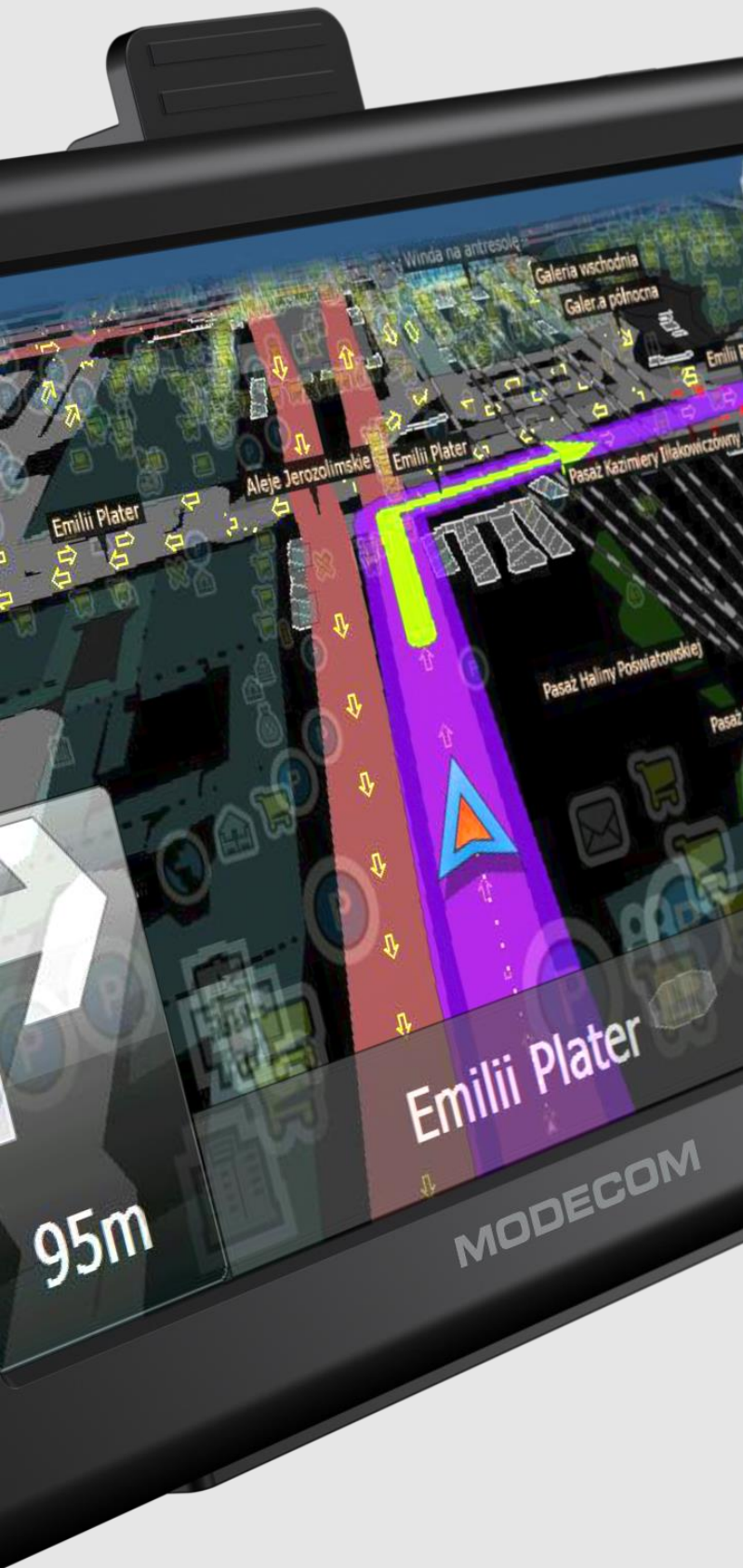


STRONG MOUNT

The navigation is made of high-quality materials. Thanks to this, you can be sure that it will serve you for many years.

Strong mount to handlebar (included in the set), holds the screen securely, protecting it from damage.



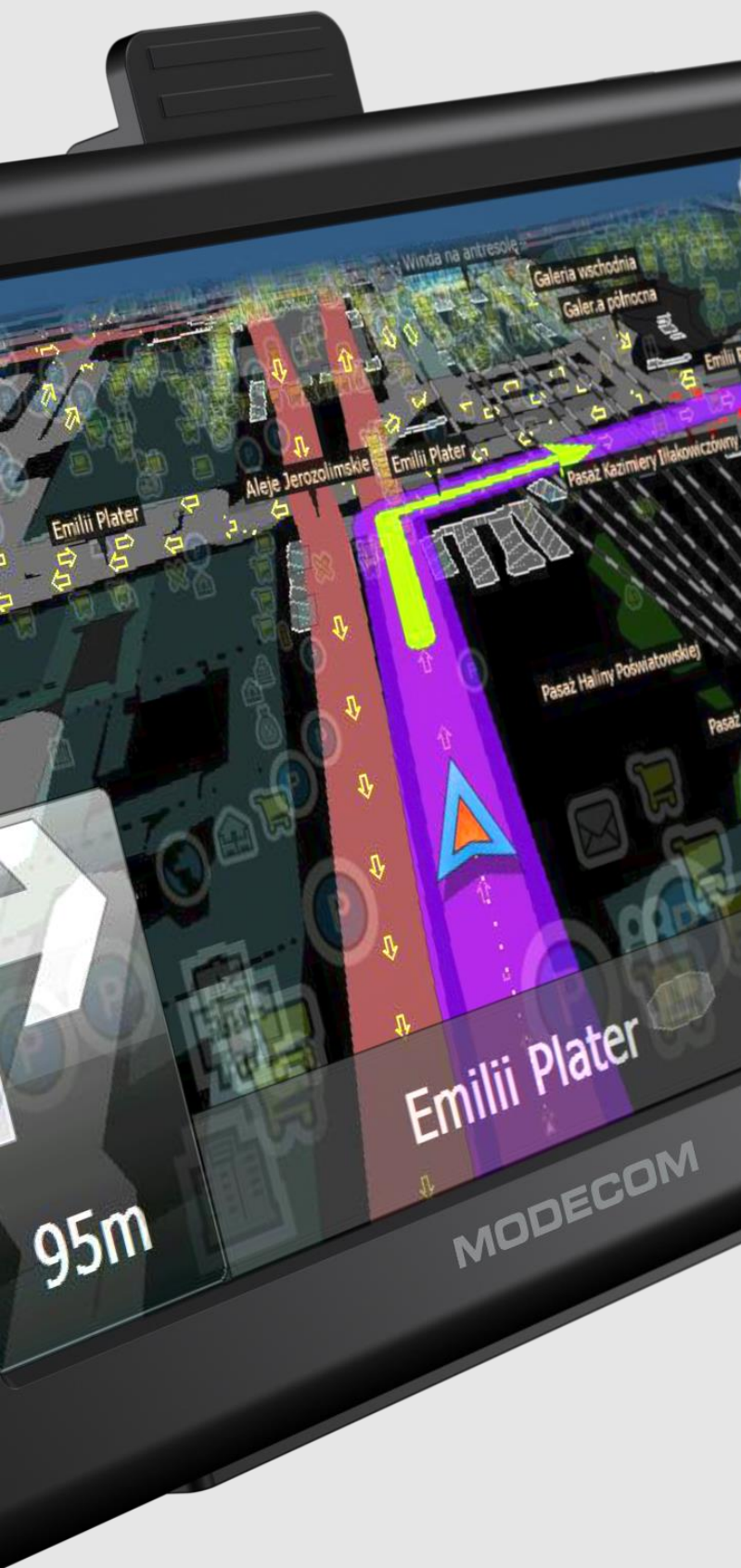


MODECOM FREEWAY CX 5.0



QUALITY.

The high quality of the product determines its longevity.

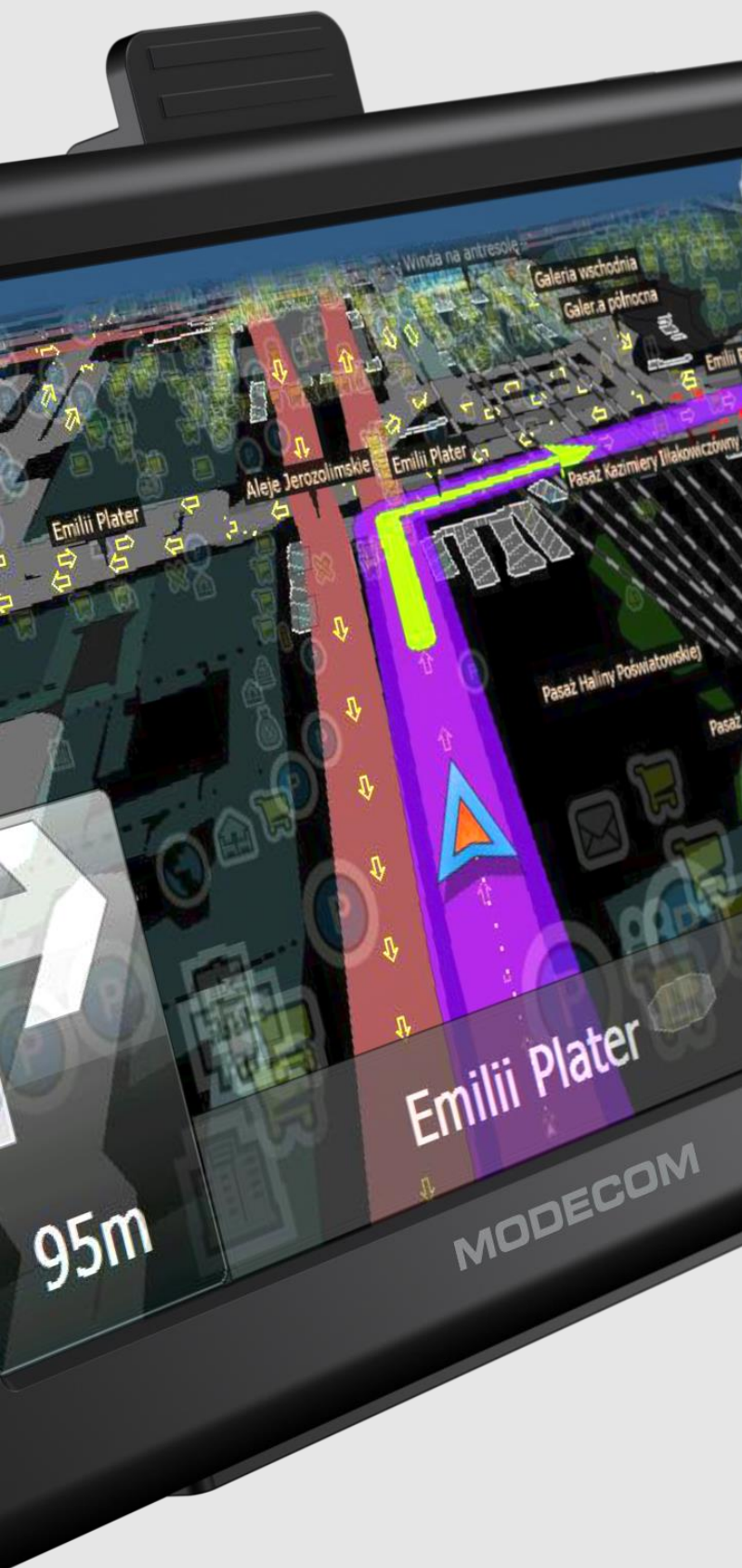


MODECOM FREEWAY CX 5.0



RELIABILITY.

Efficient components mean high reliability and speed of the device. Nothing will surprise you on the way!



MODECOM FREEWAY CX 5.0



PRACTICALITY.

The ability to play MP3 and MP4 files or the function of reading electronic books - will make every trip more enjoyable.

MODECOM FREEWAY CX 5.0

MULTIMEDIA MEANS CONVENIENCE

Navigation can be useful not only for route calculation. Thanks to its properties, it will also be perfect as a device for playing movies or music.

Thanks to these functions, you will show the movie to your traveling companions, you can also connect other devices to it via the Bluetooth module.

In combination with the functionality of the FM transmitter, all the speakers in the car can play music and broadcast messages directly from the navigation.



MODECOM FREEWAY CX 5.0

EFFICIENT COMPONENTS



MODECOM FREEWAY CX 5.0

PRACTICAL SOLUTIONS



Why you should have it?

- ✓ Efficient processor.
- ✓ Fast 256MB RAM memory.
- ✓ Capacitive touch screen - easy to use.
- ✓ 5" TFT screen, 800 x 480 px.
- ✓ USB-C
- ✓ Multimedia functions.
- ✓ Compact size.

Model	MODECOM FREEWAY CX 5.0
Processor	Mstar MSB2531 800MHZ
Flash	8 GB
GPS	GPS MSTAR
RAM	256 MB DDR
Screen	5" TFT, touch, 800 x 480 px
Touch panel	Capacitive touch panel
Speaker	Build-in
OS	Microsoft Windows CE 6.0
Video	MP4/ASF/WMV/AVI/DIVX/XVID
Bluetooth	N/A
In/Out	3.5mm jack, MicroSD / SDHC, USB-C
Battery	1200 mAh

MODECOM FREEWAY CX 5.0





NAV-FREEWAYCX50-MF-EU

EAN: 5903560981268

Weight netto: 330 g

Weight brutto: 498 g

Number of pieces in collective package : 20

Dimensions of package : 120 x 170 x 75 mm

Dimensions of collective package : 410 x 260 x 360 mm