



GPS

MODECOM FREEWAY CX 7.4



- ✓ Bright 7" TFT touch screen.
- ✓ Powerful Mstar processor 800 MHz.
- ✓ OS Windows CE 6.0.
- ✓ Capacitive touch panel.

- ✓ Transmitter FM.
- ✓ AV-IN.
- ✓ USB-C.

- ✓ 512 MB RAM.
- ✓ FLASH 16 GB.
- ✓ High-class receiver GPS.
- ✓ BT module.

SCREEN

BIG SCREEN 7"



7 INCHES OF QUALITY

The 7" display is a characteristic feature of the FreeWAY CX 7.4 model. Good colors, wide viewing angles, bright image - all this makes it easier to use navigation.

CAPACITIVE TOUCH PANEL WORK LIKE ON SMARTPHONE

GPS is equipped with a capacitive touch panel. This means that the screen works by touching with your finger. The use of a touch panel significantly facilitates the use of navigation - you do not need to look for a stylus pen to enter the desired route. You work like on a smartphone.





MODECOM FREEWAY CX 7.4

THE PERFECT SCREEN ANYWHERE

The large screen will work well anywhere. Both on the highway and on city streets.



MODECOM



MODECOM FREEWAY CX 7.4

POWERFUL PROCESSOR Mstar MSB2531 800MHZ

MODECOM FreeWAY CX 7.4 is navigation with high-class components.

It is equipped with an efficient and modern Mstar MSB2531 800MHZ processor, which is characterized by low power consumption and high efficiency, allowing for quick calculation and route tracking.

The processor cooperates with the software enabling smooth operation, also allowing the use of multimedia solutions offered by the device.

512 MB RAM

Modern software requires advanced and reliable device components. Navigation is equipped with 512 megabytes of RAM memory, which means faster and more stable operation of navigation programs.





The device is equipped with a high-class and sensitive, 64-channel MSTAR GPS system. Thanks to this GPS module, the device accurately determines the route and ensures optimal precision of the location of the vehicle.

POSITIONING PRECISION 64 channel MSTAR GPS

USB-C

The navigation is equipped with a USB-C port. The standardization in USB-C technology allows to reduce the number of cables, affecting the comfort of using the device.





CUSTOMIZE GPS AS YOU LIKE

MODECOM FREEWAY CX 7.4 comes preloaded with MapFactor Europe navigation. However, if you decide that you want a different map, you can adapt it to your needs.

Thanks to the large amount of memory and efficient components, the navigation quickly and efficiently cooperates with other map producers.



MODECOM FREEWAY CX 7.4



MAPFACTOR EUROPE

Why use MapFactor?

- Intuitive voice navigation in different languages.
- Planning of the "door to door" route.
- Routing modes for car, truck, bus, pedestrian, bicycle.
- Cross-border routing without switching between countries.
- Optimization of waypoints.
- Route Avoidance - block a specific road.
- 2D / 3D mode enables realistic display of visual maps.
- GPS maps rotate in the direction of travel or north up.
- Ability to add your own favorite locations and routes.

A good map is essential. Thanks to its functions, you will reach your destination safely and choose the shortest route. MapFactor is an excellent choice for any driver - smooth operation of the application, fast response time and high reliability.



SAFETY AND ECONOMY

MapFactor Europe is packed with security and time-saving features.

- ✓ Speed camera warnings.
- ✓ Audible alerts when approaching speed cameras.
- ✓ The day / night modes change the color schemes for day or night driving.
- ✓ Preview of the upcoming maneuver and the distance displayed on the screen.

The world has become a global village, filled with new kilometers of roads and highways every year. Often we are not even aware of what road works are carried out on the other side of the city, not to mention other cities. There is a simple solution for this - MODECOM navigation with MapFactor, which will set the optimal route, saving time and fuel.

FOR LONG AND NEW ROUTES



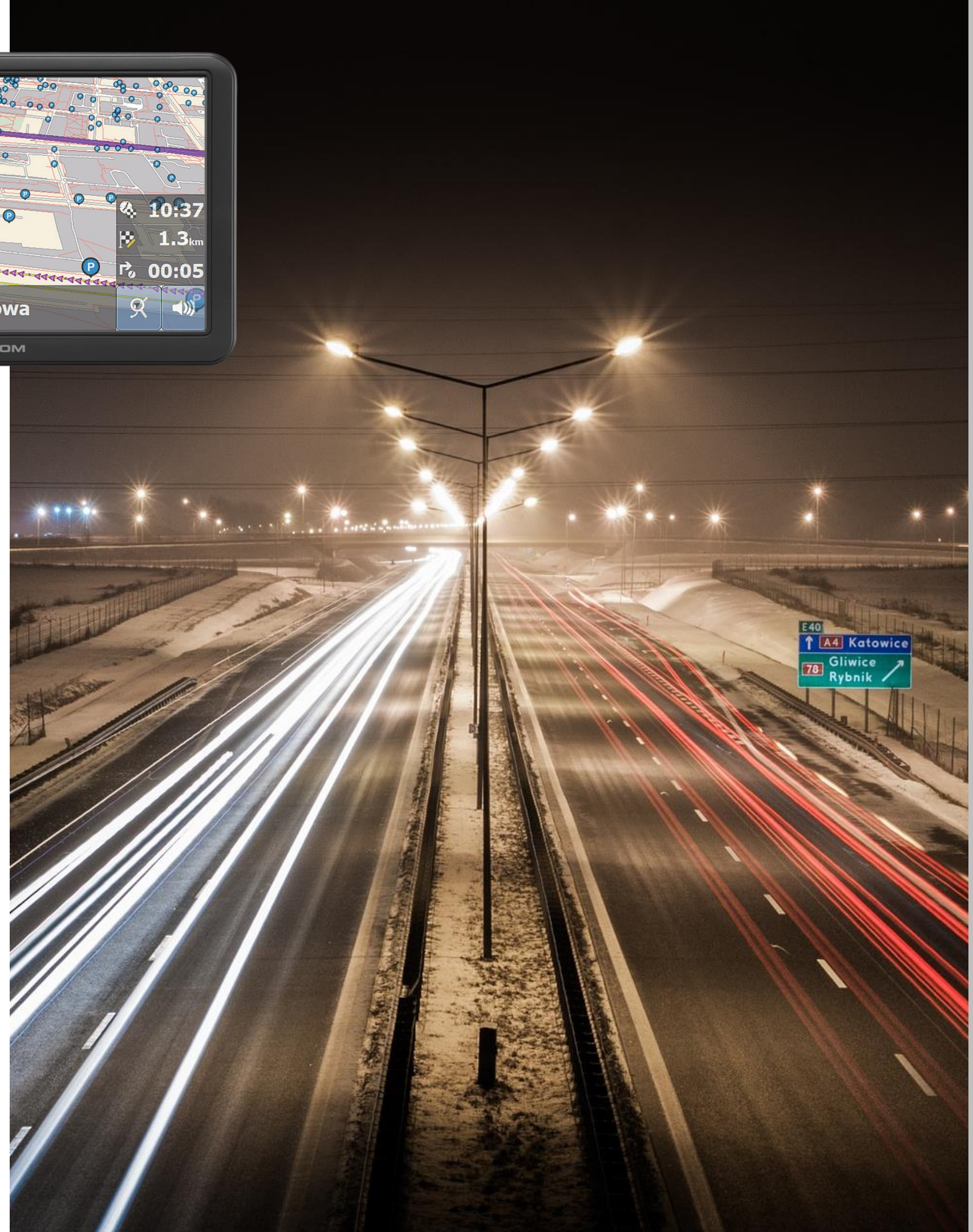


MODECOM FREEWAY CX 7.4

PROFESSIONALS WILL APPRECIATE SAVINGS

Buying navigation in the era of smartphones and free online maps? Yes, it makes sense as long as you are a professional driver, you drive abroad and you appreciate the additional advantages of using navigation, such as the possibility of integrating it with the car.

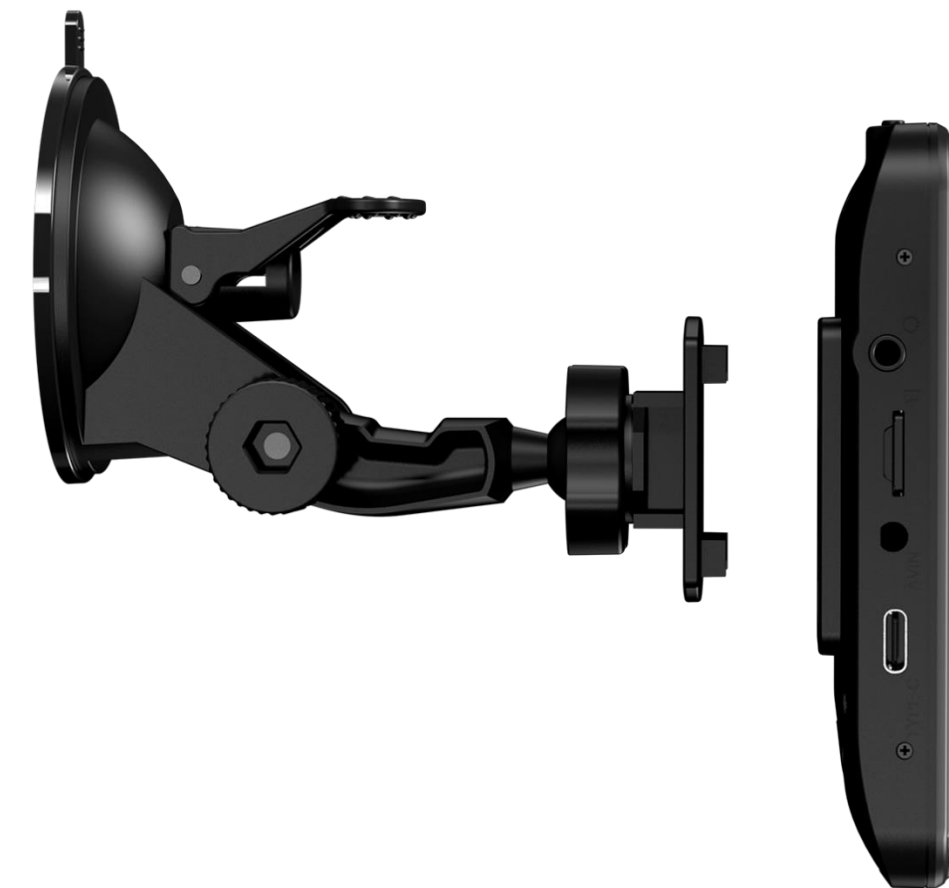
What's more? You do not use your smartphone's battery, you do not worry about places with less cellular network coverage, you have a reliable device with a large screen.



STRONG MOUNT

The navigation is made of high-quality materials. Thanks to this, you can be sure that it will serve you for many years.

Strong mount to handlebar (included in the set), securely holds the device, protecting it from damage.





MODECOM FREEWAY CX 7.4

• • •

QUALITY.

The high quality of the product determines its longevity.



MODECOM FREEWAY CX 7.4

• • •

RELIABILITY.

Efficient components means high reliability and speed of the device. Nothing will surprise you on the way!



MODECOM FREEWAY CX 7.4



PRACTICALITY.

A large screen 7", USB-C port and a capacitive touch screen means high usability and practicality.

MODECOM FREEWAY CX 7.4

MULTIMEDIA MEANS CONVENIENCE

Navigation can be useful not only for route calculation. Thanks to its properties, it will also be perfect as a device for playing movies or music.

Thanks to these functions, you will show the movie to your traveling companions, you can also connect other devices to it via the BT module.

In combination with the functionality of the FM transmitter, all the speakers in the car can play music and broadcast messages directly from the navigation.



MODECOM FREEWAY CX 7.4

EFFICIENT COMPONENTS



MODECOM FREEWAY CX 7.4

LARGE SCREEN AND PRACTICAL SOLUTIONS

Why you should have it?

- ✓ Efficient processor.
- ✓ Fast 512 MB RAM memory.
- ✓ Capacitive touch screen - easy to use.
- ✓ 7" screen.
- ✓ USB-C
- ✓ BT module.

Model	MODECOM FREEWAY CX 7.4
Processor	Mstar MSB2531 800MHZ
Flash	16 GB
RAM	512 MB DDR
Screen	7" TFT, 800 x 480 pix
Touch screen	Capacitive touch panel
Speaker	Build-in
OS	Microsoft Windows CE 6.0
Video	MP4/ASF/WMV/AVI/DIVX/XVID
BT module	Yes
In / Out	3.5mm jack, MicroSD / SDHC, USB-C, AV IN

MODECOM FREEWAY CX 7.4





Logistics

NAV-FREEWAYCX74-MF-EU

EAN: 5903560981480

Number of pieces in collective package: 20 pieces

Dimensions of package: 21,5 cm x 9 cm x 15 cm

Dimensions of collective package: 47 cm x 45,50 cm x 32 cm

Weight brutto: 672 g

Weight netto: 430 g